

Product Specification

850Gb/s 2xDR4 OSFP 1310nm 100m
Optical Transceiver

P/N: NDR-OSFP-2DR4



Features

- Hot Pluggable OSFP form factor
- Operating data rate 850Gbps
- Single +3.3V power supply
- Dual MPO-12 connector
- Max power dissipation <17W
- PIN receivers
- Built-in digital diagnostic function
- Commercial temperature range 0°C to 70°C

Compliance

- Compliant with OSFP MSA
- Compliant with CMIS 5.1
- RoHS

Applications

- Supports 800Gb InfiniBand NDR Systems
- Cloud Services
- Data Center Interconnect
- Data center Enterprise networking
- Switches with OSFP ports

Description

The NDR-OSFP-2DR4 is a high-performance optical transceiver module designed for modern data-intensive environments. Encased in the OSFP form factor, it is specifically tailored for Infiniband NDR 2x400G applications, making it an ideal choice for high-speed data centers and advanced computing systems. Leveraging the DR4 module technology, it features a 4x106.25 Gbps (53.125 GBd PAM4) electrical and optical interface, which enables it to deliver exceptional data transfer rates with remarkable stability.

With a transmission distance of up to 100 meters over single-mode fiber, this module provides reliable long-range connectivity. It adheres to industry-standard protocols, ensuring seamless compatibility with existing network infrastructure. Additionally, its energy-efficient design helps to reduce operational costs. The NDR-OSFP-2DR4 comes with support for MPO-12 APC connectors, facilitating easy installation and integration. Overall, it is a scalable and future-proof solution that meets the ever-growing demands of high-speed data communication.

Product performance Specifications

1. Basic Product Characteristics

Parameter	Symbol	Min	Typ.	Max	Unit
Absolute Maximum Ratings					
Storage Temperature	T_s	-40	-	+85	°C
Supply Voltage	V_{CC}	-0.5	-	3.6	V
Relative Humidity	RH	5	-	95	%
Control Input Voltage	V_I	-0.3	-	$V_{CC}+0.5$	V
Operational Specifications					
Operating Case Temperature	T_c	0	-	70	°C
Power Supply Voltage	V_{CC}	3.135	3.3	3.465	V
Power Supply Current	I_{CC}			2730	mA
Power Consumption	P_{DISS}	-	-	17	W
Data Rate	DR	-	850	-	Gbps
Pre-FEC Bit Error Ratio			2.4×10^{-4}		
Transmission Distance(OM3)	-	0.5	-	70	m
Transmission Distance(OM4)	-	0.5	-	100	m

2. Product Optical and Electrical Characteristics

Parameter	Symbol	Min	Typ.	Max	Unit	Note
Transceiver						
Modulation format		PAM4				
Center Wavelength	λ_C	1304.5	1311	1317.5	nm	
Side Mode Suppression Ratio	SMSR	30			dB	
Average Launch power, each lane	Pavg	-2.9		4.0	dBm	1
Optical Power OMA, each Lane max	POMA	3.5			dBm	
Outer Optical Modulation Amplitude (OMA _{outer}), each Lane	TOMA	-0.8		4.2	dBm	
Transmitter and dispersion eye closure (TDECQ), each lane	TDECQ			3.4	dB	
Launch Power in OMA _{outer} minus TDECQ, each lane	TOMA-TDECQ	-2.2			dB	
Extinction ratio	ER	3.5			dB	
Transmitter transition time (max)				17	dBm	
Optical Return Loss Tolerance	ORLT			21.4	dB	
Average Launch Power of OFF Transmitter, each lane	TOFF			-15	dBm	
Transmitter Reflectance				-26		2
Differential pk-pk Input Voltage tolerance		900			mV	
Differential Termination Mismatch				10	%	
Eye height		15			mV	
Common-mode to differential-mode return loss		IEEE802.3ck Equation (120G-1)			dB	
Vertical eye closure				12	dB	
Effective return loss		8.5			dB	
Transition Time		8.5			ps	
AC common-mode output Voltage (RMS)				25	mV	
RIN _{21.4OMA} (max)	RIN			-136	dB/Hz	
Receiver						
Modulation format		PAM4				
Center Wavelength	λ_C	1304.5	1311	1317.5	nm	
Damage threshold		5			dBm	
Average receive power, each lane		-5.9		4	dBm	

Receive power, each lane (OMA _{outer})				4.2	dBm	
Receiver reflectance	RR			-26	dB	
Receiver sensitivity, each lane		Max(-3.9, SECQ - 5.3)			dBm	3
Stressed receiver sensitivity, each lane	SRS			-1.9	dBm	4
Differential data output swing				900	mVpp	
DC common-mode Voltage		-0.35		2.85	V	
Differential termination mismatch				10	%	
Stressed eye closure for PAM4 (SECQ), lane under test	SECQ	3.4			dB	
OMA _{outer} of each aggressor lane		4.2			dB	
Common-mode to differential-mode return loss		IEEE802.3ck Equation (120G-1)				
Effective return loss		8.5			dB	
Single-ended voltage tolerance range		-0.4		3.3	ps	
AC common-mode RMS voltage tolerance (TP1a)		25			mV	

Note1: Average launch power, each lane (min) is informative and not the principal indicator of signal strength

Note2: Transmitter reflectance is defined looking into the transmitter

Note3: Receiver sensitivity (OMA_{outer}), each lane (max) is informative and is defined for a transmitter with a value of SECQ up to 3.4 dB

Note4: Measured with conformance test signal at TP3 for the BER = 2.4×10^{-4}

Recommended Host Board Power Supply Circuit

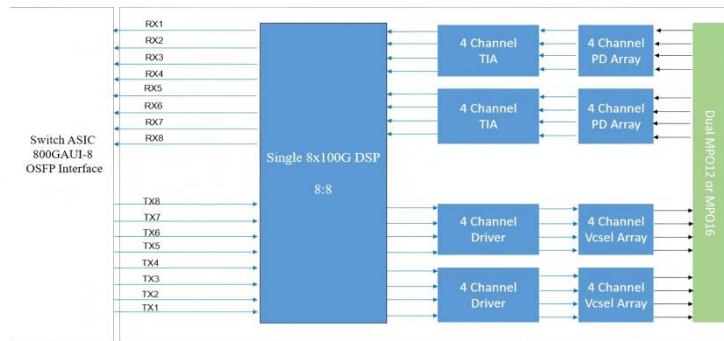


Figure 1: Module Block Diagram

Recommended Interface Circuit

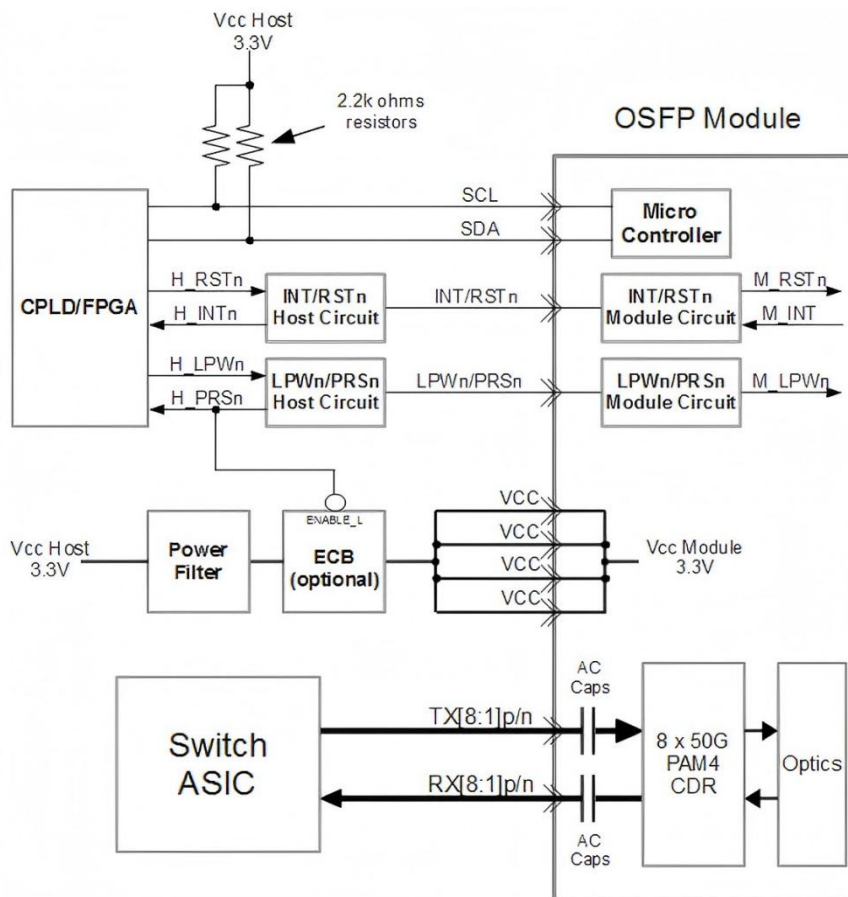


Figure2: Recommended Interface Circuit

Optical Interface

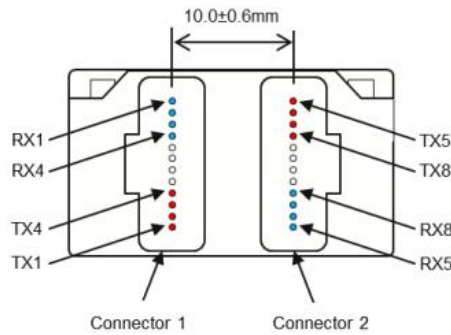


Figure3:Optical Lane Sequence

Pin-out Definition

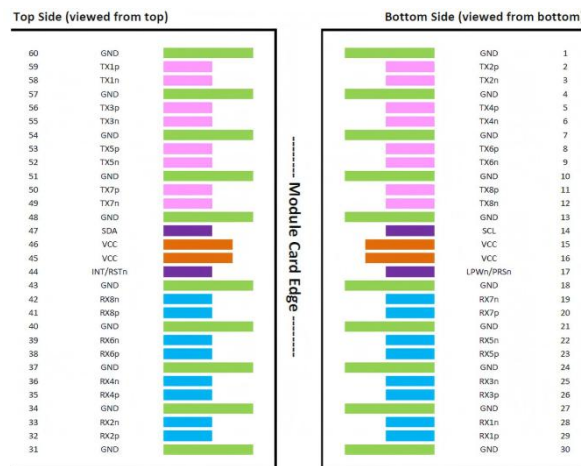


Figure4:Pin view

Pin Function Definitions

Pin	Logic	Symbol	Description	Note
1		GND	Ground	
2	CML-I	TX2p	Transmitter Data Non-Inverted	
3	CML-I	TX2n	Transmitter Data Inverted	
4		GND	Ground	
5	CML-I	TX4p	Transmitter Data Non-Inverted	
6	CML-I	TX4n	Transmitter Data Inverted	
7		GND	Ground	
8	CML-I	TX6p	Transmitter Data Non-Inverted	

9	CML-I	TX6n	Transmitter Data Inverted	
10		GND	Ground	
11	CML-I	TX8p	Transmitter Data Non-Inverted	
12	CML-I	TX8n	Transmitter Data Inverted	
13		GND	Ground	
14	LVC MOS-I/O	SCL	2-wire Serial interface clock	1
15		VCC	+3.3V Power	
16		VCC	+3.3V Power	
17	Multi-Level	LPWn/PRSn	Low-Power Mode / Module Present	2
18		GND	Ground	
19	CML-O	RX7n	Receiver Data Inverted	
20	CML-O	RX7p	Receiver Data Non-Inverted	
21		GND	Ground	
22	CML-O	RX5n	Receiver Data Inverted	
23	CML-O	RX5p	Receiver Data Non-Inverted	
24		GND	Ground	
25	CML-O	RX3n	Receiver Data Inverted	
26	CML-O	RX3p	Receiver Data Non-Inverted	
27		GND	Ground	
28	CML-O	RX1n	Receiver Data Inverted	
29	CML-O	RX1p	Receiver Data Non-Inverted	
30		GND	Ground	
31		GND	Ground	
32	CML-O	RX2p	Receiver Data Non-Inverted	
33	CML-O	RX2n	Receiver Data Inverted	
34		GND	Ground	
35	CML-O	RX4p	Receiver Data Non-Inverted	
36	CML-O	RX4n	Receiver Data Inverted	
37		GND	Ground	
38	CML-O	RX6p	Receiver Data Non-Inverted	
39	CML-O	RX6n	Receiver Data Inverted	
40		GND	Ground	
41	CML-O	RX8p	Receiver Data Non-Inverted	
42	CML-O	RX8n	Receiver Data Inverted	
43		GND	Ground	
44	Multi-Level	INT/RSTn	Module Interrupt / Module Reset	2
45		VCC	+3.3V Power	
46		VCC	+3.3V Power	

47	LVC MOS-I/O	SDA	2-wire Serial interface data	1
48		GND	Ground	
49	CML-I	TX7n	Transmitter Data Inverted	
50	CML-I	TX7p	Transmitter Data Non-Inverted	
51		GND	Ground	
52	CML-I	TX5n	Transmitter Data Inverted	
53	CML-I	TX5p	Transmitter Data Non-Inverted	
54		GND	Ground	
55	CML-I	TX3n	Transmitter Data Inverted	
56	CML-I	TX3p	Transmitter Data Non-Inverted	
57		GND	Ground	
58	CML-I	TX1n	Transmitter Data Inverted	
59	CML-I	TX1p	Transmitter Data Non-Inverted	
60		GND	Ground	

Note1: Open-Drain with pull up resistor on Host.

Note2: See pin description for required circuit.

Monitoring Specification

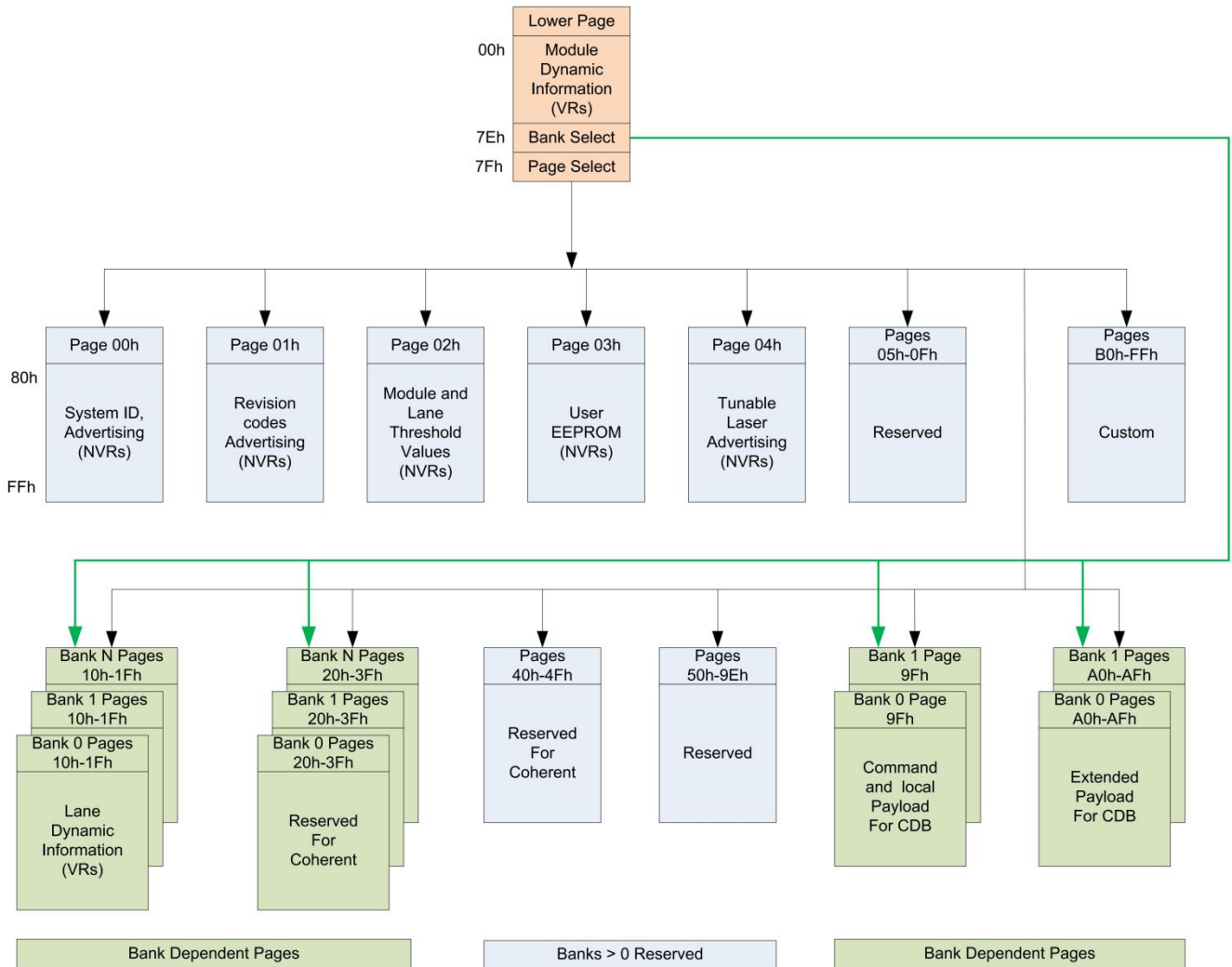


Figure5:Memory map

Memory map Table

Byte	Unit	Name	Description
Lower Page 00h			
0	1	Identifier	Identifier - Type of Serial Module - See SFF-8024.
1	1	Revision Compliance	Identifier – CMIS revision; the upper nibble is the whole number part and the lower nibble is the decimal part. Example: 01h indicates version 0.1, 21h indicates version 2.1.
2-3	2	ID and Status Area	Flat mem indication, CLEI present indicator, Maximum TWI speed,

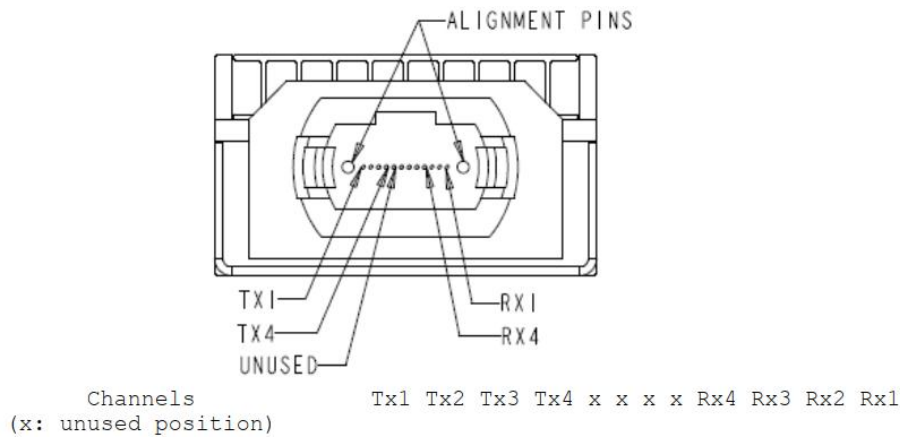
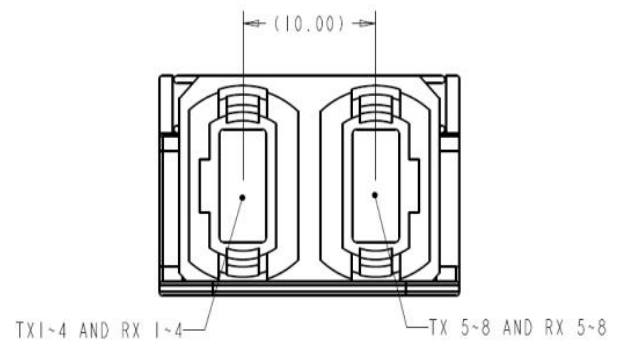
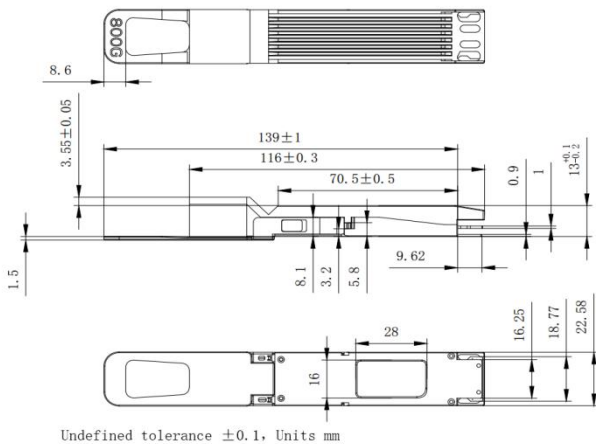
			Current state of Module, Current state of the Interrupt signal.
4-7	4	Lane Flag Summary	Flag summary of all lane flags on pages 10h-1Fh.
8-13	6	Module-Level Flags	All flags that are not lane or data path specific.
14-25	12	Module-Level Monitors	Monitors that are not lane or data path specific.
26-30	5	Module Global Controls	Controls applicable to the module as a whole
31-36	6	Module-Level Flag Masks	Masking bits for the Module-Level flags
37-38	2	CDB Status Area	Status of most recent CDB command
39-40	2	Module Firmware Version	Module Firmware Version.
41-63	23	Reserved Area	Reserved for future standardization
64-82	19	Custom Area	Vendor or module type specific use
83-84	2	Inactive Firmware Version	Version Number of Inactive Firmware. Values of 00h indicates module supports only a single image.
85-117	33	Application Advertising	Combinations of host and media interfaces that are supported by module data path(s)
118-125	8	Password Entry and Change	Password Entry and Change
126	1	Bank Select Byte	Bank address of currently visible Page
127	1	Page Select Byte	Page address of currently visible Page
Upper Page 00h			
128	1	Identifier	Identifier - Type of Serial Module - See SFF-8024.
129-144	16	Vendor name	Vendor name (ASCII)
145-147	2	Vendor OUI	Vendor IEEE company ID
148-163	16	Vendor PN	Part number provided by vendor (ASCII)
164-165	8	Vendor rev	Revision level for part number provided by vendor (ASCII)
166-181	10	Vendor SN	Vendor Serial Number (ASCII)
182-183	2	Date code year	ASCII code, two low order digits of year (00=2000)
184-185	2	Date code month	ASCII code digits of month (01=Jan through 12=Dec)
186-187	2	Date code day of month	ASCII code day of month (01-31)
188-189	2	Lot code	ASCII code, custom lot code, may be blank
190-199	10	CLEI code	Common Language Equipment Identification code
200-201	2	Module power characteristics	Module power characteristics
202	1	Cable assembly length	Cable assembly length
203	1	Media Connector Type	Media Connector Type
204	1	5 GHz attenuation	Passive copper cable attenuation at 5 GHz in 1 dB increments
205	1	7 GHz attenuation	Passive copper cable attenuation at 7 GHz in 1 dB increments
206	1	12.9 GHz attenuation	Passive copper cable attenuation at 12.9 GHz in 1 dB increments
207	1	25.8 GHz attenuation	Passive copper cable attenuation at 25.8 GHz in 1 dB increments
208-209	2	Reserved	Reserved
210-211	2	Cable Assembly Lane Information	Cable Assembly Lane Information

212	1	Media Interface Technology	Media Interface Technology
213-220	8	Reserved	Reserved
221	1	Custom	Custom
222	1	Checksum	Includes bytes 128-221
223-255	33	Custom Info NV	Custom Info NV
Page 01h (Optional)			
128	1	Inactive Module firmware major revision	Numeric representation of inactive module firmware major revision
129	1	Inactive Module firmware minor revision	Inactive Module firmware minor revision
130	1	Module hardware major revision	Module hardware major revision
131	1	Module hardware minor revision	Module hardware minor revision
132	1	Length (SMF)	Bits 7-6 Length multiplier(SMF), Bits 5-0 Base Length (SMF)
133	1	Length (OM5)	Link length supported for OM5 fiber, units of 2 m (2 to 510 m)
134	1	Length (OM4)	Link length supported for OM4 fiber, units of 2 m (2 to 510 m)
135	1	Length (OM3)	Link length supported for EBW 50/125 μ m fiber (OM3), units of 2m (2 to 510 m)
136	1	Length (OM2)	Link length supported for 50/125 μ m fiber (OM2), units of 1m (1 to 255 m)
137	1	Reserved	Reserved
138-139	2	Nominal Wavelength	Nominal Wavelength
140-141	2	Wavelength Tolerance	Wavelength Tolerance
142-144	3	Implemented Memory Pages and Durations advertising	Implemented Memory Pages and Durations advertising
145-154	10	Module Characteristics advertising	Module Characteristics advertising
155-156	2	Implemented Controls advertising	Implemented Controls advertising
157-158	2	Implemented Flags advertising	Implemented Flags advertising
159-160	2	Implemented Monitors advertising	Implemented Monitors advertising
161-162	2	Implemented Signal Integrity Controls advertising	Implemented Signal Integrity Controls advertising
163-166	4	CDB support advertising	CDB support advertising
167-168	2	Additional Durations advertising	Additional Durations advertising
169-175	7	Reserved	Reserved
176-190	15	Module Media Lane advertising	Coded 1 if the Application is allowed to begin on a given media lane. Bits 0-7 correspond to Host Lanes 1-8. In multi-lane Applications each instance of an Application shall use contiguous media lane numbers. If multiple instances of a single Application are allowed each starting point is identified. If multiple instances are advertised,

			all instance must be supported concurrently.
191-222	32	Custom	Custom
223-250	28	Extended Module Host-Media Interface Advertising options	Extended Module Host-Media Interface Advertising options
251-254	4	Reserved	Reserved
255	1	Checksum	Checksum
Page 02h (Optional)			
128-129	2	Temperature monitor high alarm	Thresholds for internally measured temperature monitor: signed 2's complement in 1/256 degree Celsius increments
130-131	2	Temperature monitor low alarm	
132-133	2	Temperature monitor high warning	
134-135	2	Temperature monitor low warning	
136-137	2	Supply 3.3-volt monitor high alarm	Thresholds for internally measured 3.3 volt input supply voltage: in 100 μV increments
138-139	2	Supply 3.3-volt monitor low alarm	
140-141	2	Supply 3.3-volt monitor high warning	
142-143	2	Supply 3.3-volt monitor low warning	
144-145	2	Aux 1 monitor high alarm	Thresholds for TEC Current or Reserved monitor TEC Current: signed 2's complement in 100/32767% increments of maximum TEC current +32767 is max TEC current (100%) – Max Heating -32767 is min TEC current (100%) – Max Cooling
146-147	2	Aux 1 monitor low alarm	
148-149	2	Aux 1 monitor high warning	
150-151	2	Aux 1 monitor low warning	
152-153	2	Aux 2 monitor high alarm	Thresholds for TEC Current or Laser Temperature monitor TEC Current: signed 2's complement in 100/32767% increments of maximum TEC current +32767 is max TEC current (100%) – Max Heating -32767 is min TEC current (100%) – Max Cooling Laser Temperature: signed 2's complement in 1/256 degree Celsius increments
154-155	2	Aux 2 monitor low alarm	
156-157	2	Aux 2 monitor high warning	
158-159	2	Aux 2 monitor low warning	
160-161	2	Aux 3 monitor high alarm	Thresholds for Laser Temperature or additional supply voltage monitor Laser Temperature: signed 2's complement in 1/256 degree Celsius increments NOTE: Laser Temp can be below 0 if uncooled or in Tx Disable. Additional supply voltage monitor: in 100 μV increments
162-163	2	Aux 3 monitor low alarm	
164-165	2	Aux 3 monitor high warning	
166-167	2	Aux 3 monitor low warning	
168-169	2	Custom monitor high alarm	Custom monitor: signed or unsigned 16 bit value
170-171	2	Custom monitor low alarm	
172-173	2	Custom monitor high warning	
174-175	2	Custom monitor low warning	

176-177	2	Tx optical power high alarm	Threshold for Tx optical power monitor: unsigned integer in 0.1 uW increments, yielding a total measurement range of 0 to 6.5535 mW (~-40 to +8.2 dBm) See section 8.8.3 for monitor details including accuracy
178-179	2	Tx optical power low alarm	
180-181	2	Tx optical power high warning	
182-183	2	Tx optical power low warning	
184-185	2	Tx bias current high alarm	Threshold for Tx bias monitor: unsigned integer in 2 uA increments, times the multiplier from Table 8-33. See section 8.8.3 for monitor details including accuracy
186-187	2	Tx bias current low alarm	
188-189	2	Tx bias current high warning	
190-191	2	Tx bias current low warning	
192-193	2	Rx optical power high alarm	Threshold for Rx optical power monitor: unsigned integer in 0.1 uW increments, yielding a total measurement range of 0 to 6.5535 mW (~-40 to +8.2 dBm) See section 8.8.3 for accuracy.
194-195	2	Rx bias current low alarm	
196-197	2	Rx bias current high warning	
198-199	2	Rx bias current low warning	
200-229	30	Reserved	Reserved
230-254	25	Custom	Custom
255	1	Checksum	Covers bytes 128-254

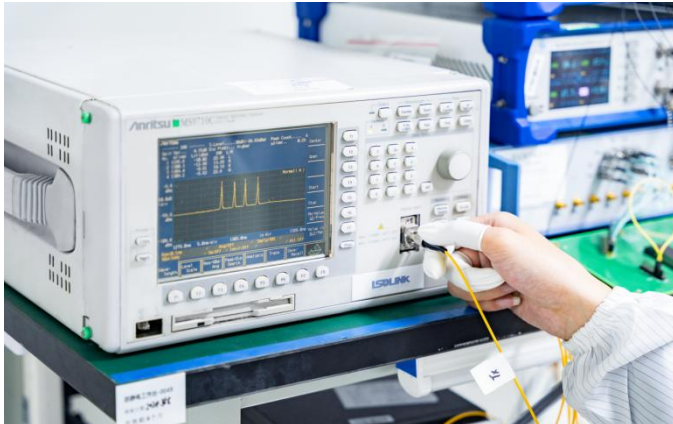
Mechanical Dimension



Test Center

1. Performance Testing

Every fiber optic transceiver is thoroughly tested by the LSOLINK Assurance Program, which is equipped with the world's most advanced analytical equipment to ensure that our transceivers meet the industry's international public protocol standards while still functioning flawlessly in your facility.



Optical Spectrum Inspection

Using the industry's leading optical spectrum analyser to check in real time that the parameters of the optical transceiver's laser comply with industry standards.

- **Peak:** Peak wavelength and peak level
- **2nd Peak:** Side-mode wavelength and level
- **Mean Wl:** Center wavelength
- **Total Power:** Total power of spectrum
- **SMSR:** Side-Mode Suppression Ratio



Optical Signal Quality Inspection

Using highly efficient sampling oscilloscopes and BERT testers, equipped with an automated test platform to accurately test the signal quality of the transceiver, test records are kept for up to 5 years to ensure the traceability of each transceiver.

- **Eye Mask Margin(NRZ)**
- **TDECQ(PAM4):** transmitter dispersion eye closure
- **OMA:** Optical modulation amplitude
- **BER:** Bit error rate
- **ER:** Extinction Ratio



Flow Pressure Test

Using multi-protocol network traffic analyser with various brands of switches to test the transceiver's ability to transmit at full speed.

- **Bandwidth:** Actual transceiver bandwidth on the port
- **Packet Loss**
- **Packet Errors:** CRC Errors/PCS Errors/Symbol Errors
- **LinkDown Counts**
- **latency**

Above is part of our test bed network equipment. For more information, Please click [download](#) for optical transceiver performance test report.

2. Quality Control

We adopt advanced quality management solutions. Each transceiver is self-inspected, including: 20x microscope inspection, 200x microscope inspection, and QC process inspection.



visual inspection



Microscopic inspection: 20X



Microscopic inspection: 200X



Reliability Verification



Optical endface inspection



OQC Inspection


Order Information

Part Number	Description
NDR-OSFP-SR4	400GBASE-SR4 OSFP NDR PAM4 850nm 50m DOM MTP/MPO-12 APC MMF Transceiver Module, Flat Top
NDR-OSFP-DR4	400GBASE-DR4 OSFP NDR PAM4 1310nm 100m DOM MTP/MPO-12 APC SMF Transceiver Module, Flat Top
NDR-OSFP-2SR4	800GBASE-2xSR4 OSFP NDR PAM4 850nm 50m DOM Dual MTP/MPO-12 APC MMF Transceiver Module, Finned Top
NDR-OSFP-2SR4-R	800GBASE-2xSR4 OSFP NDR PAM4 850nm 50m DOM Dual MTP/MPO-12 APC MMF Transceiver Module, Flat Top
NDR-OSFP-2DR4	800GBASE-2xDR4 OSFP NDR PAM4 1310nm 100m DOM Dual MTP/MPO-12 APC SMF Transceiver Module, Finned Top
NDR-OSFP-2DR4+	800GBASE-2xDR4 OSFP NDR PAM4 1310nm 500m DOM Dual MTP/MPO-12 APC SMF Transceiver Module, Finned Top
NDR-OSFP-2FR4	800GBASE-2xFR4 OSFP NDR PAM4 1310nm 2km DOM Dual LC SMF Transceiver Module, Finned Top
NDR-Q112-SR4	400GBASE-SR4 QSFP112 NDR PAM4 850nm 50m DOM MTP/MPO-12 APC MMF Transceiver Module
NDR-Q112-DR4	400GBASE-DR4 QSFP112 NDR PAM4 1310nm 100m DOM MTP/MPO-12 APC SMF Transceiver Module
HDR-Q56-SR4	200GBASE-SR4 QSFP56 HDR 850nm 100m DOM MTP/MPO-12 UPC MMF Transceiver Module
HDR-Q56-FR4	200GBASE-FR4 QSFP56 HDR 1310nm 2km DOM LC SMF Transceiver Module
EDR-Q28-SR4	100GBASE-SR4 QSFP28 EDR 850nm 100m DOM MTP/MPO-12 UPC MMF Transceiver Module
EDR-Q28-CWDM4	100GBASE-CWDM4 QSFP28 EDR 1310nm 2km DOM LC SMF Transceiver Module

Further Information

 | Lighting the Path to Global Links

 **Web** | www.lsolink.com

 **Email** | For Sales@lsolink.com

Disclaimer

1. We are committed to continuous product improvement and feature upgrades, and the contents contained in this manual are subject to change without notice.
2. Nothing herein should be construed as constituting an additional warranty.
3. LSOLINK assumes no responsibility for the use or reliability of equipment or software not provided by LSOLINK. Copyright LSOLINK.COM All Rights